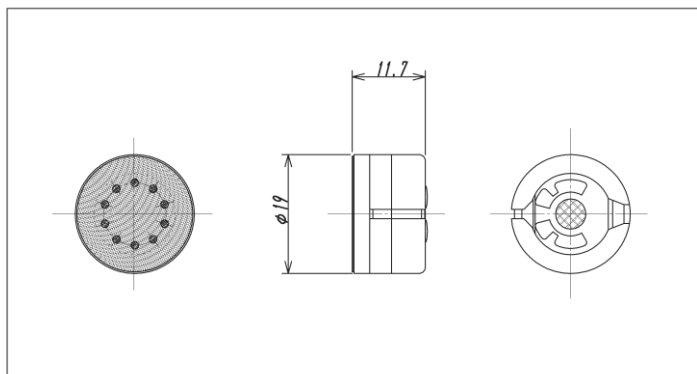
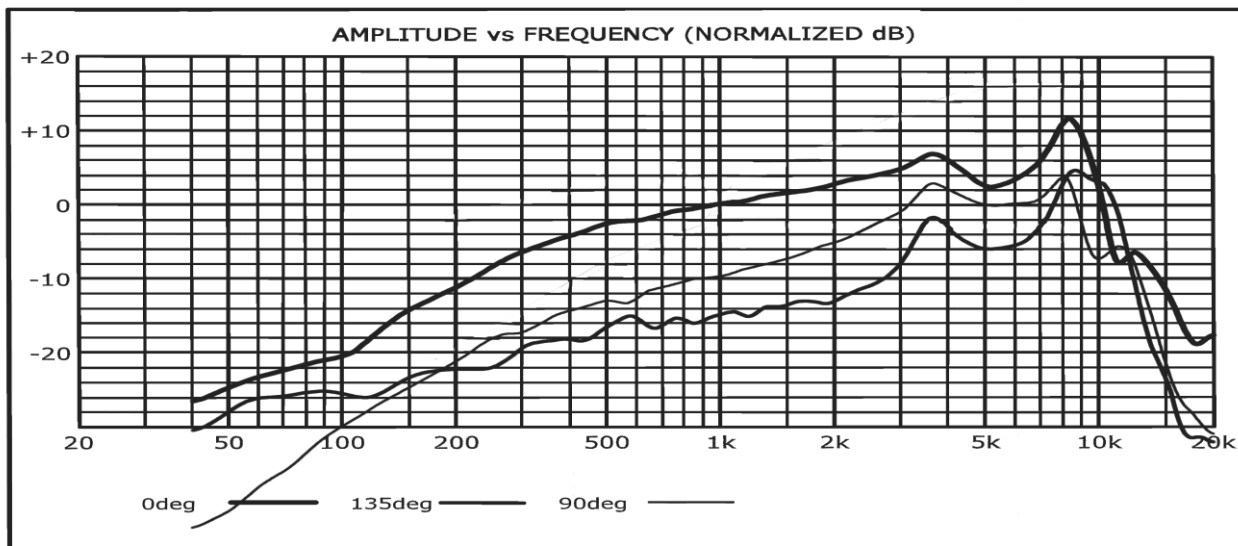


1. Outer Appearance and Dimensions (unit : mm)



2. Electrical Specifications

- 2-1 Type                                      Dynamic (moving coil)
- 2-2 Sensitivity                                -66dB ±3dB (0dB = 1V /1Pa)
- 2-3 Frequency Range                        200Hz ~ 8kHz
- 2-4 Impedance                                230Ω +20% -10% at 1kHz
- 2-5 Polar Pattern                             Noise-Cancellation (Hyper Cardioid)
- 2-6 Frequency Response



3. Weight                                      8g

RevNo.	Date	Revision note	<i>Four-Leaf</i>				